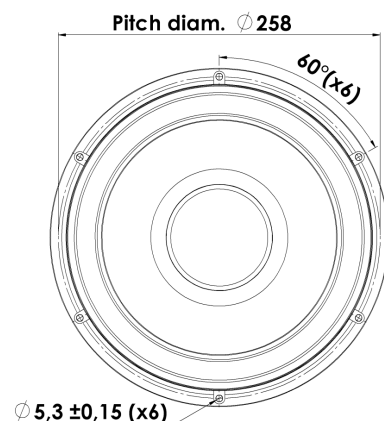
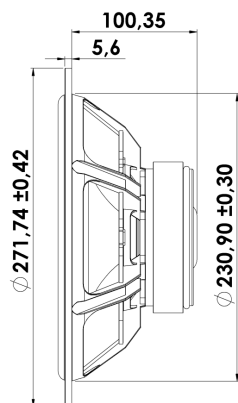


26 cm Woofer

26W/4534G00



Key Features:

- Black Anodized Alu Cone
- Coated Fibre Glass Dust Cap
- Magnet System w. Alu Ring
- Die cast Alu Chassis vented below spider
- Low Resonance Freq. 23Hz

Recommendations (please see Tech Note):

- Operating frequency range: fs-1500 Hz
- Cabinet volume - closed box: V_{box}=67 ltr, f(-3dB)=42 Hz
- Cabinet volume - vented box: V_{box}=138 ltr, fb=24 Hz, f(-3dB)=24 Hz

T-S Parameters:

Resonance frequency [fs]	23 Hz
Mechanical Q factor [Qms]	9.57
Electrical Q factor [Qes]	0.37
Total Q factor [Qts]	0.36
Force factor [Bl]	8.8 Tm
Mechanical resistance [Rms]	0.80 kg/s
Moving mass [Mms]	52 g
Compliance [Cms]	0.92 mm/N
Effective diaph. diameter [D]	211 mm
Effective piston area [Sd]	350 cm ²
Equivalent volume [Vas]	156 l
Sensitivity (2,83V/1m)	90.5 dB

Mechanical Data:

Voice coil diameter	38 mm
Voice coil height	18 mm
Voice coil layers	2
Gap height	6 mm
Linear excursion	± 6 mm
Max mech. excursion	± 12 mm
Unit weight	2.9 kg
Cabinet Displacement Volume	0.73 l

Electrical Data:

Nominal impedance [Zn]	4 Ω
Minimum impedance [Zmin]	4.5 Ω
Maximum impedance [Zo]	87.2 Ω
DC resistance [Re]	3.8 Ω
Voice coil inductance [Le]	0.70 mH

Power Handling:

100h RMS noise test (IEC 18.4)	90 W
Long-term max power (IEC 18.2)	175 W
X-over:	None

